



Towards 100

Advancing Refrigeration Through
Cooperation

Mayekawa - Japan

About Mayekawa

- Founded in 1924
- Driven to develop sustainable thermal technology
- Create solutions by working with customers to facilitate innovation





90th ANNIVERSARY

“... we are pursuing collaborative technology innovation with our customers, ‘Co-creation’...”

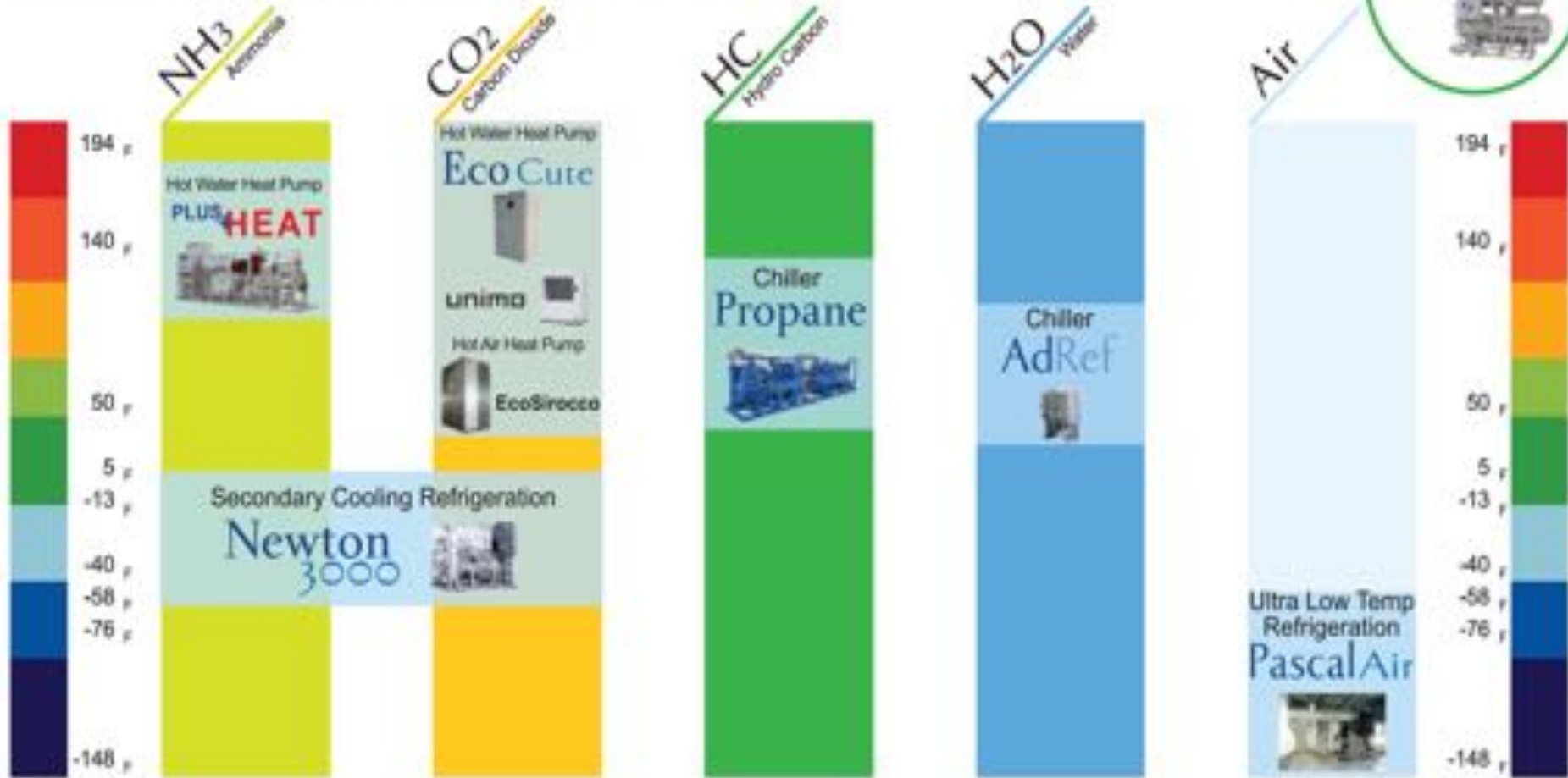
TOWARDS 100

ΜΑΥΕΚΔΩΛ



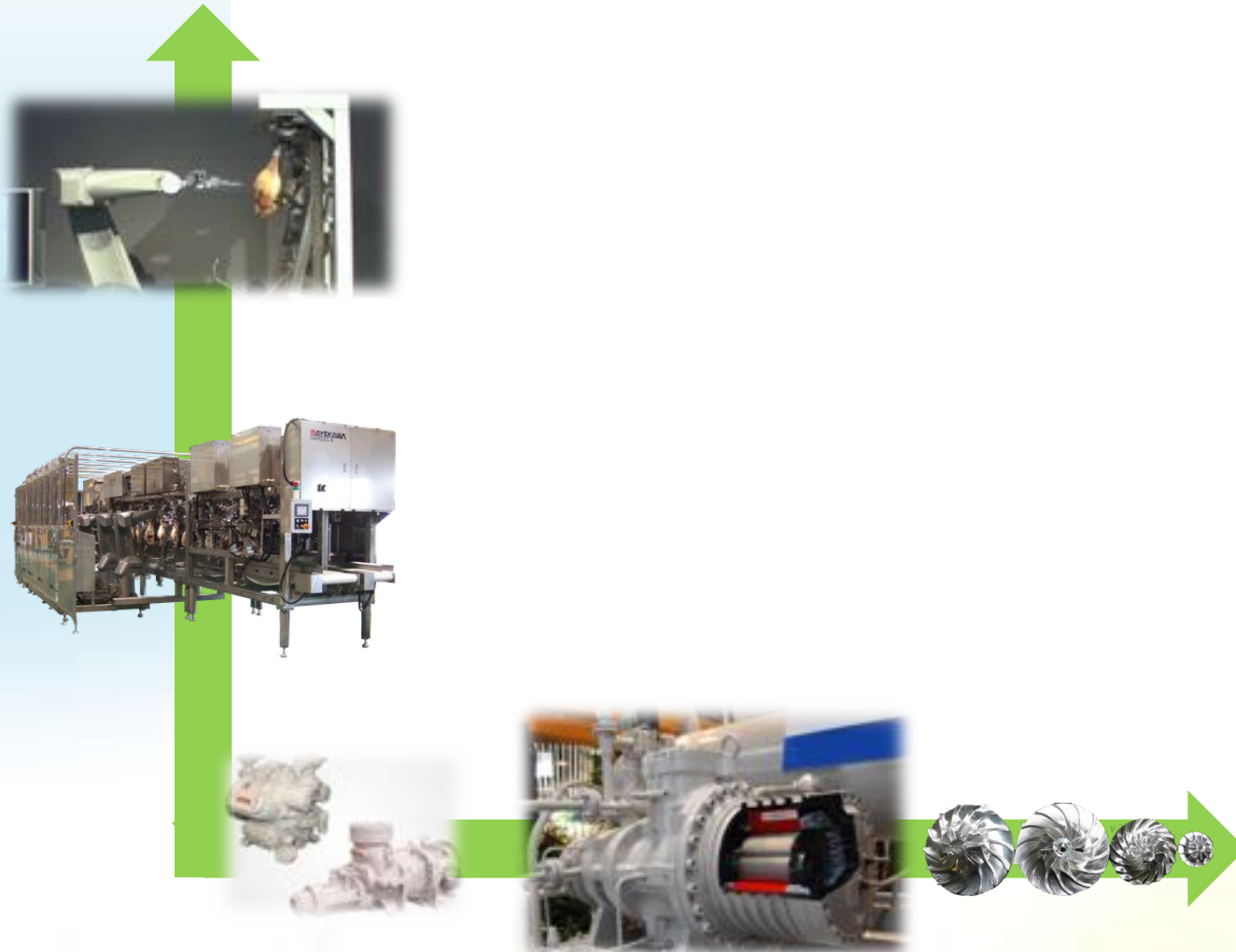
Your Natural Refrigerant Equipment and Solutions Provider

Natural Five Solutions



Solution Characterization

Co-Creation



Technological Development

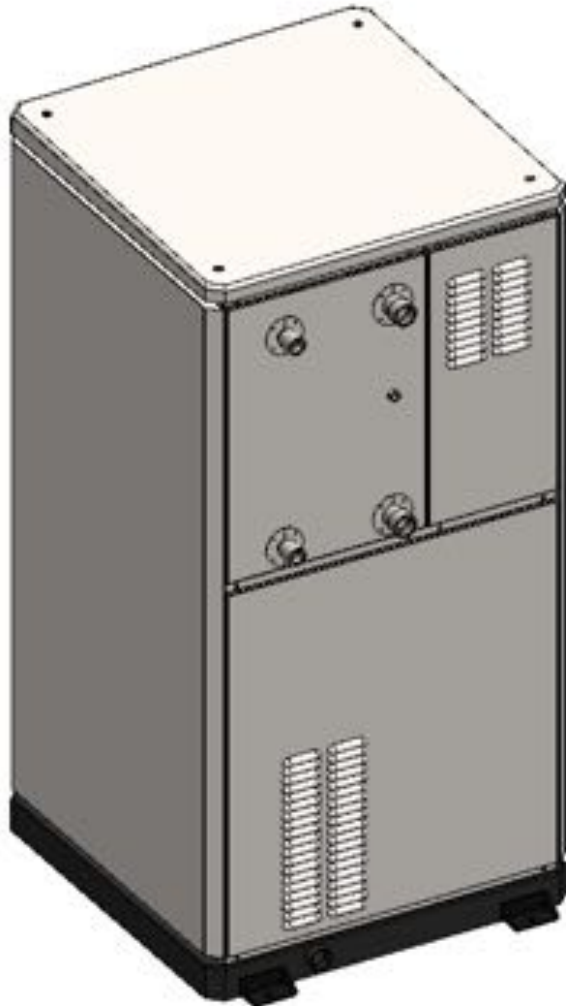
ΜΑΥΕΚΔΩΛ



Hybrid Low Charge Systems



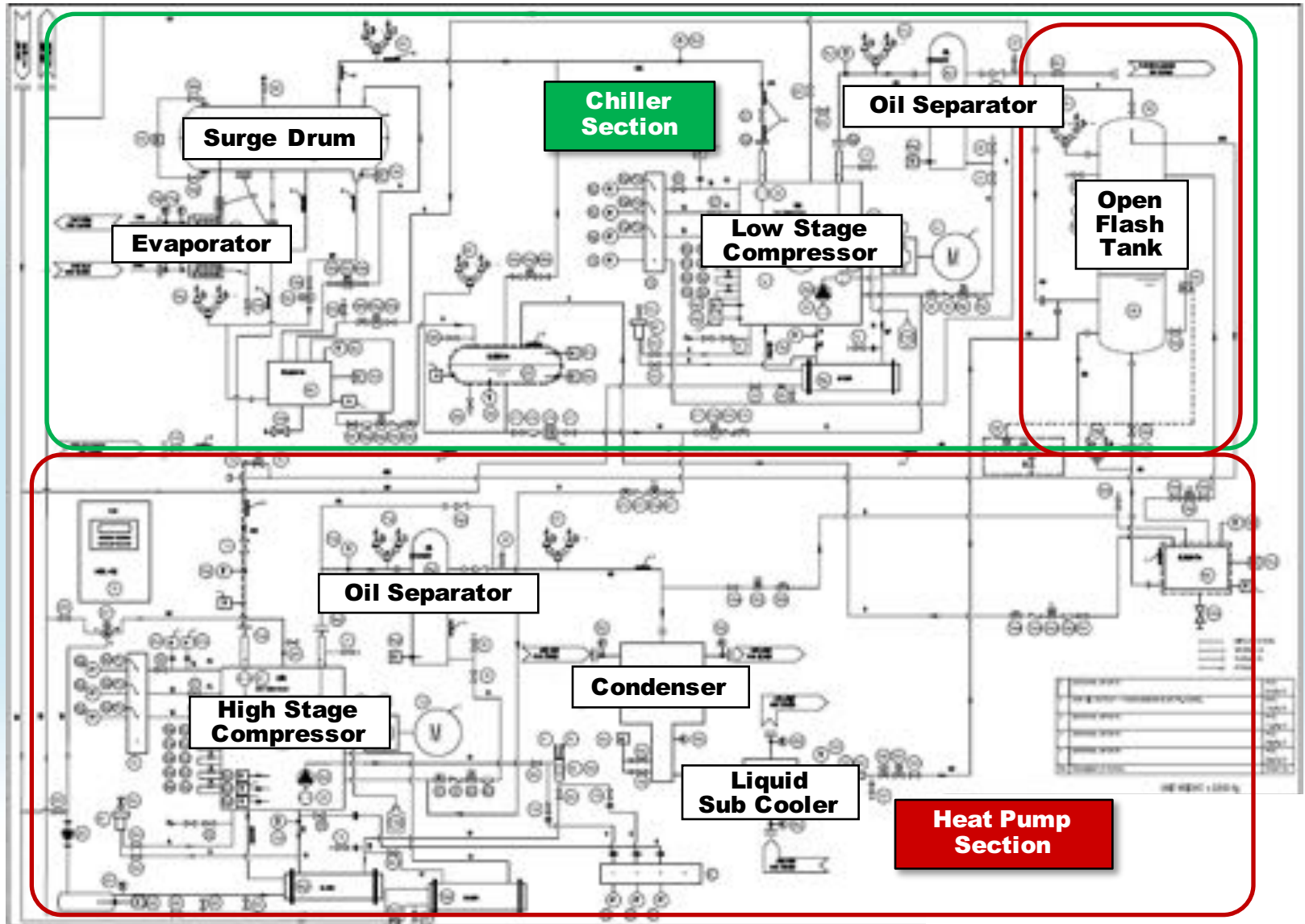
Compact Ammonia Chiller



- 11lbs NH₃
- 6.75 TR
- CO₂ or Glycol
- Semi-hermetic
- Ammonia
- Scroll

Combined System







Brayton NeO

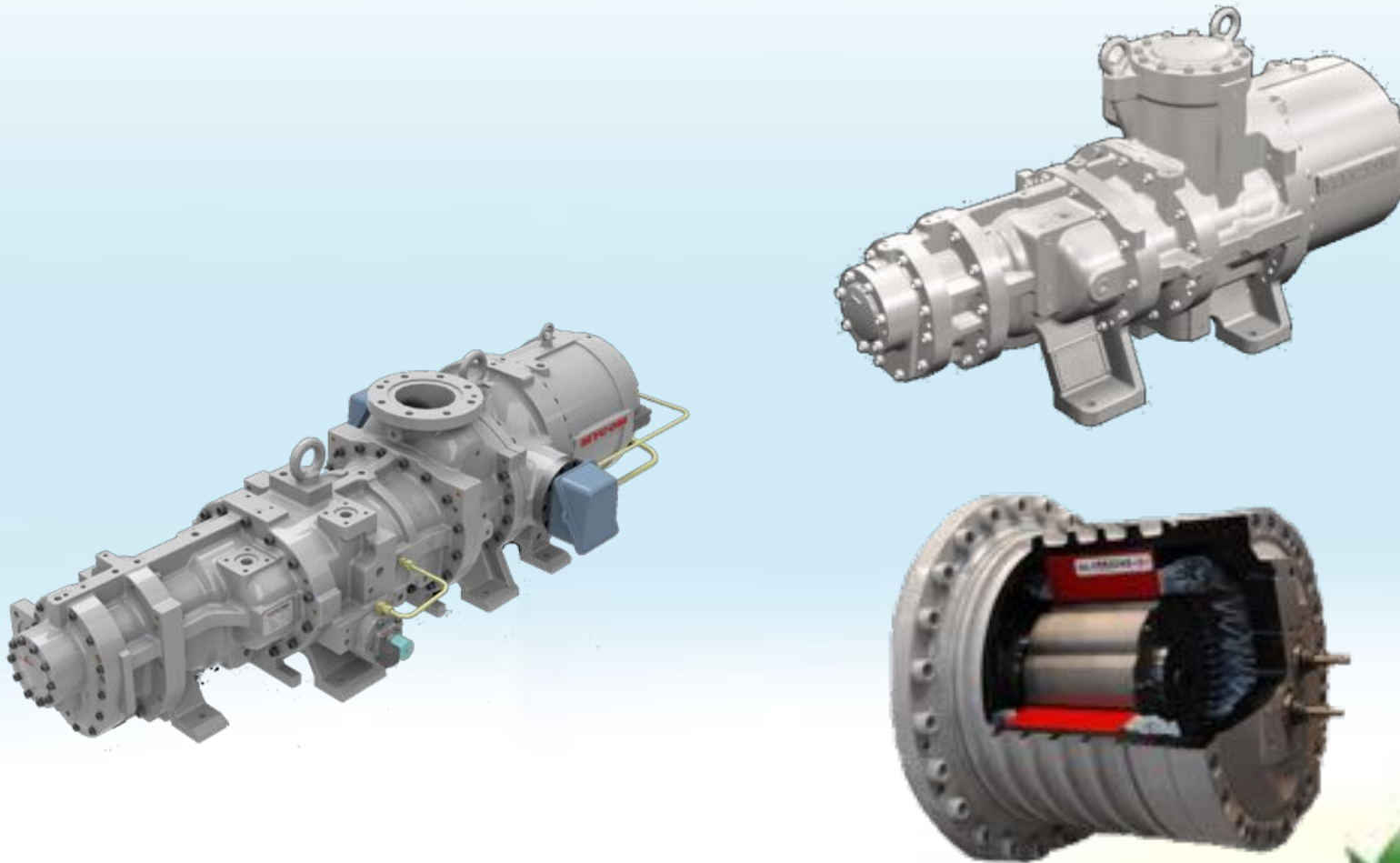


Brayton NeO

- High temperature superconductor power transmission cables
- Reduction in transmission losses
- Significant power savings



Continuous Improvement



Co-Creation



Thank you

Mark Tomooka, PE

Director, Applied Tech Development

mtomooka@mayekawausa.com

Los Angeles, CA